



## ENGINE

Make: Volvo  
Type: TAD880VE - Stage 5  
Max. output: 160 kW (218hp) @ 2.200 rpm  
Max. torque : 1050 Nm @ 1.000 rpm  
Displacement : 7,7 lit.  
Cylinders : 6 in line  
Bore & stroke : 110 x 135 mm  
Aspiration : Turbo and intercooler  
Cooling : Watercooled

## COOLING SYSTEM

Vertically built-in cooler

## TRANSMISSION

Powershift transmission ZF 6WG211 with hydraulic torque converter  
6 speeds forward en 3 reverse  
Ratio's : 5,68 - 3,70 - 2,30 - 1,50 - 0,96 - 0,63  
Rev. : 5,04 - 2,04 - 0,85  
Safety installed to prevent change of direction while moving

## TRANSFER BOX

Transfer box with continuous 4x4 drive and differential lock controlled from driver's cab

### FRONT AXLE

Make : Kessler  
Type: LT61PL375  
Capacity : 20.000 kg (20km/h)  
Wheel bolt protection on front wheels

### REAR AXLE

Make : Kessler  
Type: D81PL477  
Capacity : 38.000 kg (20km/h)  
Limited slip differential

### SUSPENSION

Front : Parabolic leafsprings with 2 double acting shock absorbers  
Rear : Directly mounted to the chassis

### TYRES

Front : 11R22,5 Continental (2x)  
Rear : 11R22,5 Continental (4x)

### BRAKES

Pneumatic braking system, independently controlled front and rear with airdryer  
Parking brake with spring brake cylinders working on the rear wheels  
Air-pressure connections for coupling of semi-trailer behind the cabin  
Air capacity: 120L

### CABIN

Left hand drive  
Tiltable one man cab with a 180° turnable and air suspended seat - ISRI 6860/880  
Suspended cabin with anti-vibration mounts in combination with shock absorbers  
Build in high quality steel plates and polyester, ROPS and FOPS tested  
Opening of the sliding door is located at the back of the cab, safely accessible  
Large, safety and tinted windows with front window layered  
Vertical electric sliding driver's side window  
2 large exterior rear view mirrors  
Sun visors on the window for safety  
Windscreen wiper and washer on front and rear window  
Inside of the cabin ergonomically finished in plastic and metal

### SWITCHES AND CONTROLS

Horn, Windscreen wipers, (Working-) Lights, Indicators,  
flashing light, Parking brake, Transmission, 5th wheel, Start/Stop, Turnable chair

### DASHBOARD

Fuel level, Oil pressure, Cooling water temperature, Air pressure,  
Working hours, Speed/RPM, Transmission oil temperature, Voltmeter

### CONTROL LIGHTS

High beam, Indicators, Parking brake, Low fuel level, 5th wheel

### CABIN INNER DIMENSIONS

Width: 1.460 mm

Length: 1.640 mm

Height: 1.640 mm

### FIFTH WHEEL

2" Fifth wheel

2 double-acting hydraulic cylinders

Unlocked pneumatically, operated from inside the cabin

Capacity: 36.000 kg

### HYDRAULIC SYSTEM

Hydraulic valve, electrically operated, to lift/lower the fifth wheel

Gear type hydraulic pump

55L hydraulic tank

Return line with replaceable filter elements

### ELECTRICITY

24 Volt negative ground

2 Batteries, 180 Ah.

24V starter, Alternator

Electrically activated, pneumatically operated horn

Electrically activated reversing signal (Reverse buzzer)

Battery isolation switch, Electrical connections for trailer

Engine safety: oil pressure, coolant temp., coolant level

### LIGHTING

Halogen Headlights, LED Rear lights, Indicators, Beacon light

Dashboard and cabin interior light

Halogen work light behind the cabin

### FRAME

Welded S355JO steel construction

Steps and walkways with non-slip surfaces

Tough front- and rear bumper

Steelplate protection for air-, fuel- and hydraulic tank

### AIR INLET

Heavy duty multistage air cleaner with cyclone principle

### EXHAUST

Exhaust muffler with vertical outlet and heat protection

With aftertreatment system (AdBlue)

### FUEL SYSTEM

1 fuel tank of 200L  
Waterseparator, Fuel cap

### PAINTING

High build two pack primer/surfacer with high protection against corrosion  
High build two pack acrylic lacquer with outstanding weather resistance  
Cabin colour RAL by choice  
Chassis colour RAL 7016

### WEIGHTS

Empty weight: ca. 12.000 kg  
Max G.C.W.: 150.000 kg

### PERFORMANCES

Max. speed empty: ca. 40km/h (Limitation possible)  
Max. tractive effort: ca. 290 kN

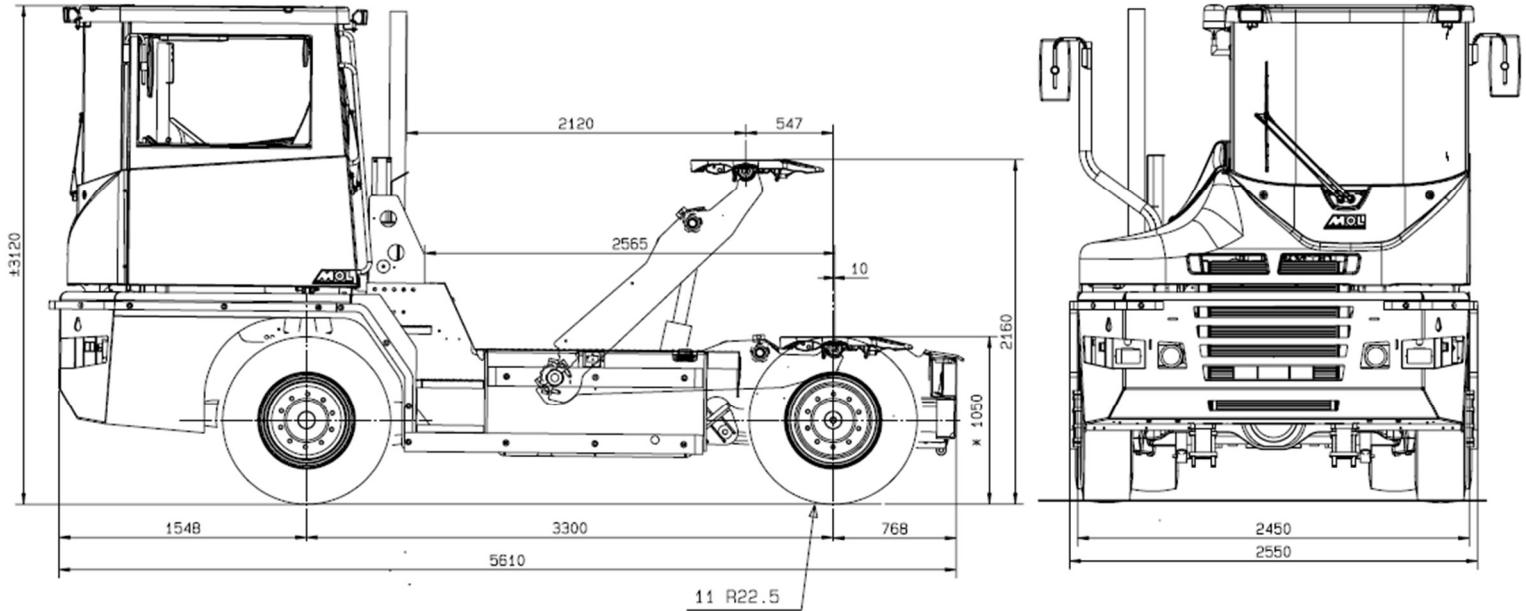
---

### Possible options:

- Automatic airconditioning
- Air suspension with release valve
- LED lighting (Front, rear, behind the cabin)
- Plastic or steel rear fenders
- Chassis protection
- Radio
- ....

(Other options can be asked on demand)

## TECHNICAL DRAWING



MOL CY NV  
DIKSMUIDESTEENWEG 68  
8840 STADEN - BELGIUM  
[www.molcy.com](http://www.molcy.com)  
Sales: [ttsales@molcy.com](mailto:ttsales@molcy.com)